

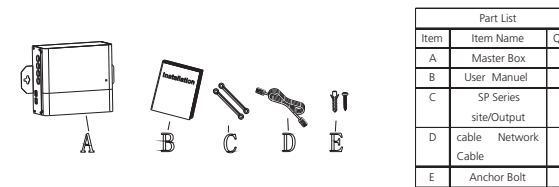


Master Box User Manual

Configuration

Number of Charge Controller	1
Number of Battery(*)	2
Charger Controller Interface	
Compatible Model	Growatt storage series
Max. Charge/ Discharge Power	Up to 5KW
Max voltage	60V DC
Communication Port	Modbus through RJ45
Communication	RS485
Battery Connection Interface	
Compatible Model	Growatt GBLI 5001 Growatt GBLI 5010
Max. Charge/ Discharge Power	Up to 3000W
Max voltage	60V DC
Communication Port	Modbus through Rj45*2
Communication	RS485
Installation Specifications	
Operation Temperature	-10°C~45°C
IP Protection Class	IP20

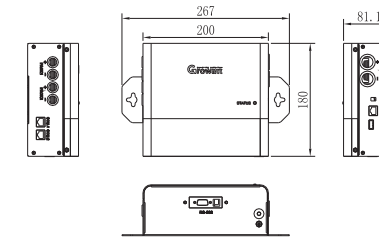
General Information - Parts List



Part List		
Item	Item Name	Q'ty
A	Master Box	1
B	User Manuel	1
C	SP Series cable/Output	2
D	cable Network Cable	1
E	Anchor Bolt	2

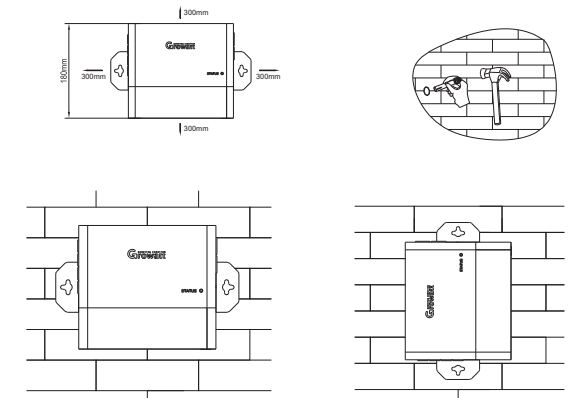
Dimension & Weight

Dimension (L x W x H): 267*180*81.1mm
Net Weight: 2KG

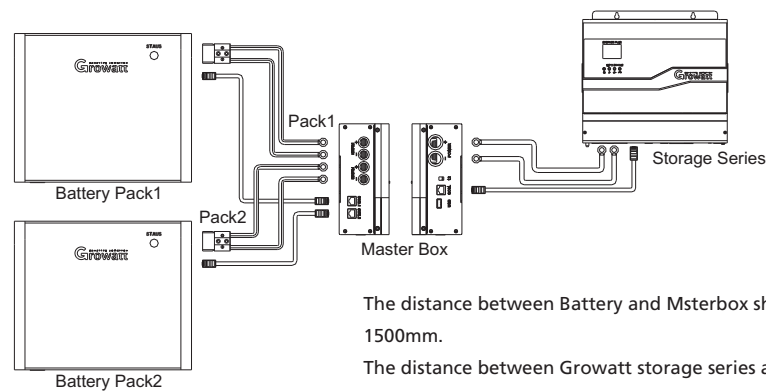


Wall Mount Installation

- 1.To leave at least 300mm space from Master Box
- 2.Make the position of 2 holes(154mm)
- 3.Drill holes with ϕ 10 drill Depth: at least 40mm
- 4.Can support both uprighted and erected installation on the wall.



Configuration of Network and Power cables



The distance between Battery and Msterbox should be within 1500mm.
The distance between Growatt storage series and Master Box should be within 1000mm.

- (1)Please according to the two battery's PACK1+, PACK1-, PACK2+, PACK2- connect with Box's 4pin electrical terminals.
- (2) Please connect the com.1 and com.2 RJ45 terminals followed the tray line tips (PACK1 corresponding port com.1 RJ45, PACK2 corresponding to port com.2 RJ45).

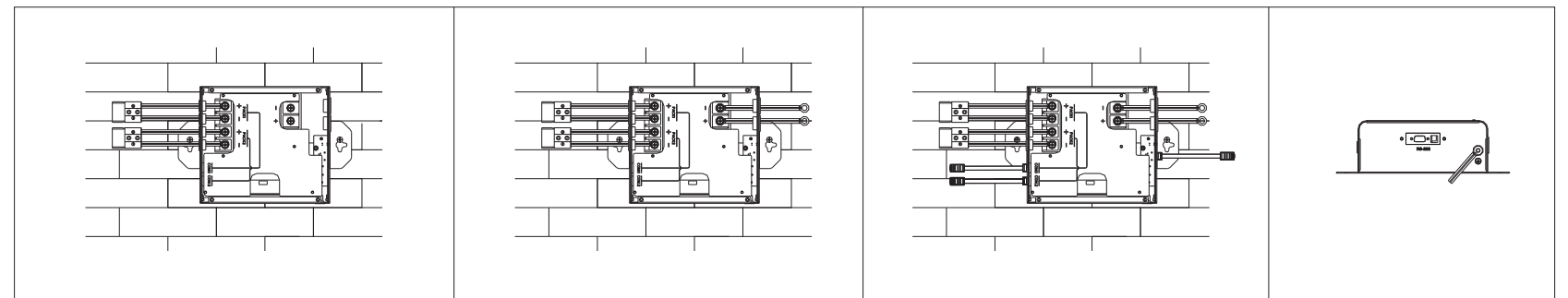
Follow procedure to connect Master Box with Battery Pack and Growatt storage series

1.Connect network cables with Battery Pack and Growatt storage series

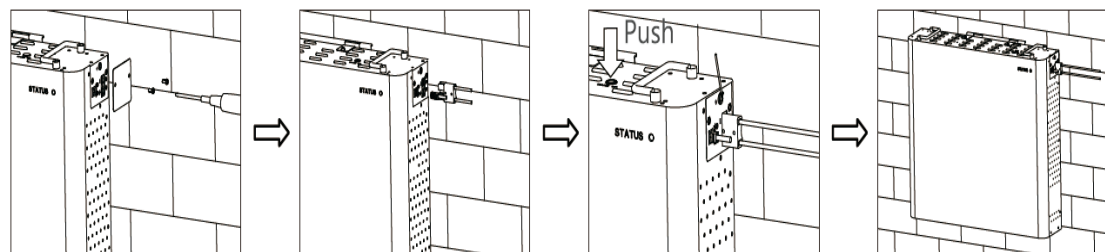
2.Connect Power cables of inverter with Growatt storage series
Torque:24Kgf.cm
Let the POWER and PACK terminal carry tight .

3. Connect Power cables of Battery (black connector) with Battery Pack

4.Connect the Ground cable



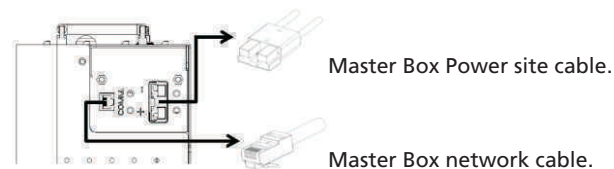
Installation of Battery System



Caution :

- This equipment contains potentially hazardous voltages. Do not attempt to disassemble the unit.
- To avoid personal injury due to energy hazard, remove wristwatches and jewelry when repairing. Use tools with insulated handles.
- Repair are to be performed only by qualified technical personal authorized by Growatt.

※After installation if no function working , please reference battery or Growatt storage series interface display



- 1.Take the connector cover off.
- 2.Connect network cable of Master Box.
- 3.Connect Power cable of Master Box.
- 4.Push Wake up one time to turn on battery system.
- 5.Check Battery status LED is Green or not.